

4/6 P

4/6 POLI / POLES 1500/1000 rpm - V 400/50 Hz - Unico avvolgimento PAM / PAM single winding

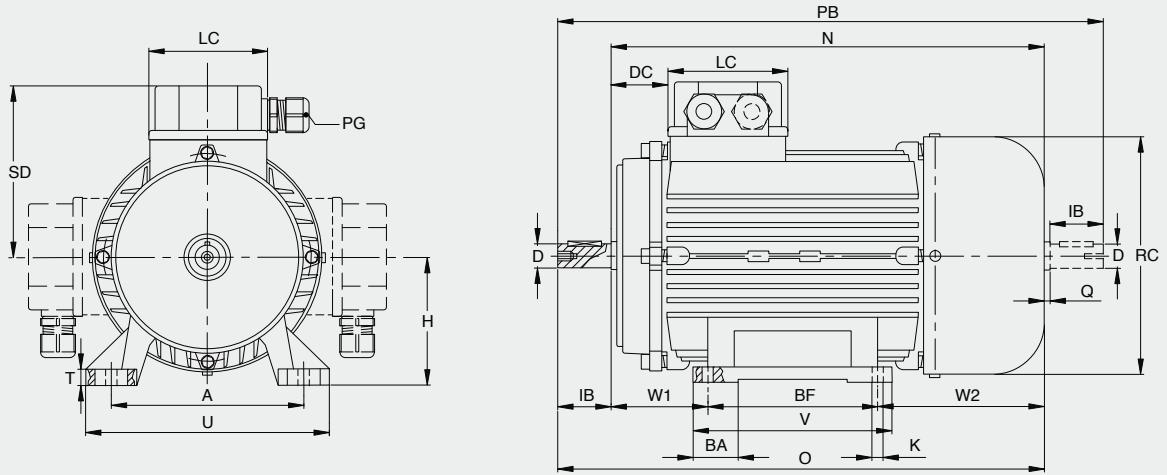
TIPO TYPE	Potenza Power		rpm	In 400 V A	Rend% Eff.%	Cosφ p.f.	Ia In	Ca Cn	Cn Nm	J kgm ²	Peso Weight Kg	TIPO TYPE	DC				AC				DC - S				POS.DC				
													CF	Cicli/h Cycles/h	PB	Peso Weight Kg	CF	Cicli/h Cycles/h	PB	Peso Weight Kg	CF	Cicli/h Cycles/h	PB	Peso Weight Kg	CF	Cicli/h Cycles/h	PB	Peso Weight Kg	
													Nm	∞	Watt	Kg	Nm	∞	VA	Kg	Nm	∞	Watt	Kg	Nm	∞	Watt	Kg	
DP71A	4	0,25	0,34	1380	1,10	71,5	0,46	3,4	1,2	1,73	0,00090	AD71B	4	4	6700	20	8,0	5	6700	40	8,0	4	6700	18	-	7,5	6700	11,5	-
	6	0,15	0,20	870	1,00	72,5	0,30	2,8	1,0	1,65	0,00090		6	4	13500	20	8,0	5	13500	40	8,0	4	13500	18	-	7,5	13500	11,5	-
DP71B	4	0,37	0,50	1380	1,15	63,2	0,74	3,4	1,3	2,56	0,00100	AD71C	4	4	6700	20	9,0	5	6700	40	9,0	4	6700	18	8,80	7,5	6700	11,5	8,0
	6	0,22	0,30	880	1,02	53,4	0,59	2,7	1,1	2,39	0,00100		6	4	13500	20	9,0	5	13500	40	9,0	4	13500	18	8,80	7,5	13500	11,5	8,0
DP80A	4	0,50	0,68	1400	1,50	60,0	0,80	3,8	1,3	3,41	0,00200	AD80A	4	8	6300	25	11,0	10	6300	70	11,0	9	6300	25	10,90	7,5	6300	16,0	9,7
	6	0,37	0,50	900	1,60	49,3	0,68	3,0	1,2	3,93	0,00200		6	8	13500	25	11,0	10	13500	70	11,0	9	13500	25	10,90	15,0	13500	16,0	9,7
DP80B	4	0,66	0,90	1410	1,80	64,0	0,83	3,8	1,3	4,47	0,00200	AD80B	4	8	6300	25	13,0	10	6300	70	13,0	9	6300	25	12,10	15,0	6300	16,0	11,0
	6	0,48	0,65	910	1,70	57,4	0,71	3,1	1,3	5,04	0,00200		6	8	13500	25	13,0	10	13500	70	13,0	9	13500	25	12,10	15,0	13500	16,0	11,0
DP90S	4	0,95	1,30	1420	2,30	73,0	0,82	4,2	1,5	6,39	0,00350	AD90S	4	16	5400	30	17,0	20	5400	120	17,0	10	5400	25	14,70	30,0	5400	21,0	14,5
	6	0,60	0,82	920	2,00	60,0	0,72	3,2	1,4	6,23	0,00350		6	16	11000	30	17,0	20	11000	120	17,0	10	11000	25	14,70	30,0	11000	21,0	14,5
DP90L	4	1,30	1,77	1430	3,10	74,0	0,82	4,5	1,6	8,69	0,00450	AD90L	4	16	5000	30	19,0	20	5000	120	19,0	10	5000	25	16,20	30,0	5000	21,0	16,0
	6	0,95	1,29	930	2,90	62,0	0,76	3,5	1,5	9,76	0,00450		6	16	9000	30	19,0	20	9000	120	19,0	10	9000	25	16,20	30,0	9000	21,0	16,0
DP90LB	4	1,50	2,00	1435	4,24	74,0	0,69	4,5	1,6	9,99	0,00500	AD90LB	4	16	4500	30	21,0	20	4500	120	21,0	10	4500	25	18,20	30,0	4500	21,0	18,0
	6	1,10	1,50	924	3,08	67,0	0,77	3,6	1,6	11,37	0,00500		6	16	8000	30	21,0	20	8000	120	21,0	10	8000	25	18,20	30,0	8000	21,0	18,0
DP100A	4	1,50	2,00	1430	3,50	75,0	0,83	5,3	1,7	10,02	0,00900	AD100A	4	32	1800	40	25,5	40	1800	160	27,5	12	1800	35	22,50	60,0	1800	28,0	22,3
	6	1,10	1,50	940	3,10	63,0	0,81	4,2	1,6	11,18	0,00900		6	32	4500	40	25,5	40	4500	160	27,5	12	4500	35	22,50	60,0	4500	28,0	22,3
DP100LB	4	2,20	3,00	1430	5,00	77,0	0,83	5,4	1,9	14,70	0,01000	AD100B	4	32	1600	40	29,0	40	1600	160	33,0	12	1600	35	25,50	60,0	1600	28,0	25,3
	6	1,50	2,00	940	4,20	71,0	0,81	4,4	1,5	15,25	0,01000		6	32	4000	40	29,0	40	4000	160	33,0	12	4000	35	25,50	60,0	4000	28,0	25,3
DP112A	4	3,00	4,00	1450	7,40	77,0	0,84	6,2	1,8	19,77	0,01500	AD112A	4	60	1500	50	41,0	60	1500	300	41,0	13	1500	35	35,70	60,0	1500	28,0	38,0
	6	1,85	2,50	940	5,00	65,0	0,82	4,8	1,7	18,80	0,01500		6	60	3600	50	41,0	60	3600	300	41,0	13	3600	35	35,70	60,0	3600	28,0	38,0
DP112B	4	4,00	5,50	1440	8,70	79,0	0,84	5,5	1,6	26,54	0,01600	AD112B	4	60	1500	50	45,0	60	1500	300	47,0	13	1500	35	41,73	60,0	1500	28,0	44,0
	6	2,20	3,00	950	5,20	74,0	0,83	4,0	1,4	22,13	0,01600		6	60	3600	50	45,0	60	3600	300	47,0	13	3600	35	41,73	60,0	3600	28,0	44,0
DP132S	4	4,40	6,00	1430	10,00	80,0	0,85	5,8	1,9	31,40	0,03000	AD132S	4	80	540	55	57,0	90	540	500	58,0	17	540	35	48,50	120,0	540	38,0	55,5
	6	3,30	4,40	940	8,00	77,6	0,82	4,5	1,7	30,49	0,03000		6	80	900	55	57,0	90	900	500	58,0	17	900	35	48,50	120,0	900	38,0	55,5
DP132M	4	6,00	8,16	1450	12,00	83,0	0,87	6,0	2,0	39,53	0,03300	AD132M	4	80	540	55	65,0	90	540	500	66,0	17	540	35	56,50	120,0	540	38,0	63,5
	6	3,70	5,03	950	8,00	80,0	0,84	5,0	2,0	37,21	0,03300		6	80	900	55	65,0	90	900	500	66,0	17	900	35	56,50	120,0	900	38,0	63,5
DP160M	4	9,50	12,50	1450	19,00	84,0	0,86	6,2	1,8	59,30	0,09000	AD160M	4	150	450	85	93,0	200	450	600	98,0	30	450	65	81,00	240,0	450	45,0	100,5
	6	6,60	8,80	950	15,00	84,0	0,82	5,5	1,4	60,34	0,09000		6	150	800	85	93,0	200	800	600	98,0	30	800	65	81,00	240,0	800	45,0	100,5
DP160L	4	11,00	14,96	1430	22,00	85,0	0,85	6,5	2,0	73,49	0,11000	AD160L	4	150	450	85	109,0	200	450	600	114,0	30	450	65	97,00	240,0	450	45,0	110,5
	6	7,50	10,20	940	16,00	82,0	0,83	5,0	1,4	76,23	0,11000		6	150	800	85	109,0	200	800	600	114,0	30	800	65	97,00	240,0	800	45,0	110,5
DP180M	4	15,00	20,40	1410	29,00	88,0	0,85	6,8	1,8	101,64	0,15000	AD180M	4	260	200	100	134,0	400	200	600	134,0	-	-	-	-	480,0	200	70,0	135,5
	6	10,00	13,60	950	21,00	83,0	0,83	5,8	1,4	100,57	0,15000		6	260	200	100	134,0	400	200	600	134,0	-	-	-	-	480,0	200	70,0	135,5
DP180L	4	18,50	25,16	1420	34,00	90,0	0,87	7,0	1,7	124,47	0,17000	AD180L	4	260	200	100	149,0	400	200	600	149,0	-	-	-	-	480,0	200	70,0	150,5
	6	13,00	17,68	940	26,00	85,0	0,85	5,8	1,4	132,13	0,17000		6	260	200	100	149,0	400	200	600	149,0	-	-	-	-	480,0	200	70,0	150,5
DP200L	4	25,00	34,00	1460	48,00	90,0	0,84	7,0	1,6	163,60	0,18000	AD200L	4	400	100	100	169,0	400	100	600	169,0	-	-	-	-	480,0	100	70,0	170,5
	6	15,00	20,40	910	32,00	86,0	0,79	6,0	1,4	157,49	0,18000		6	400	100	100	169,0	400	100	600	169,0	-	-	-	-	480,0	100	70,0	170,5

Motori asincroni trifase doppia polarità serie DP
 DP series two-speed three-phase induction motors
 Motori asincroni trifase doppia polarità serie AD
 AD series two-speed three-phase induction brake motors

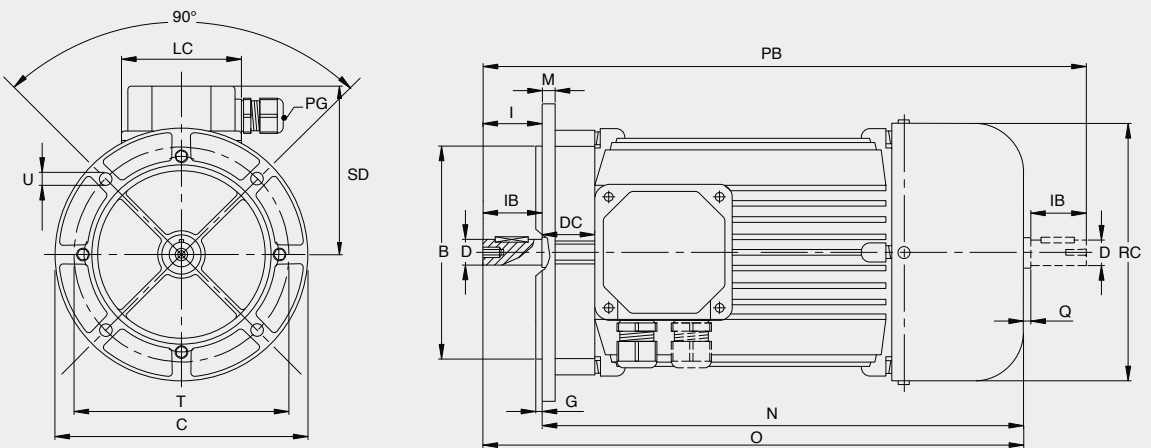
Dimensioni motori trifase e doppia polarità serie T - DP - HE2 - HE3** - IN
 Dimensions of three-phase and two-speed motors series T - DP - HE2 - HE3** - IN

In generale dalla grandezza 71 ÷ 200 piedi riportati / In generale dalla grandezza 71 ÷ 200 piedi riportati

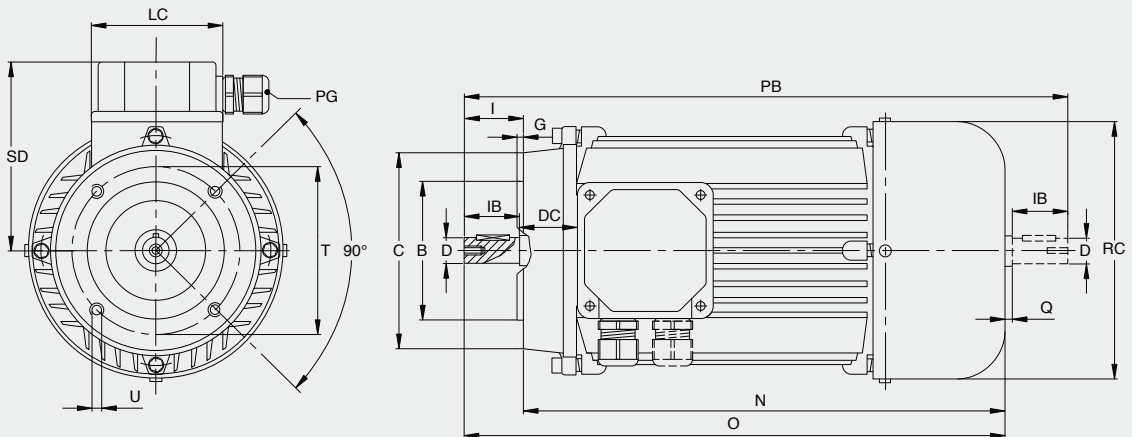
B3



B5

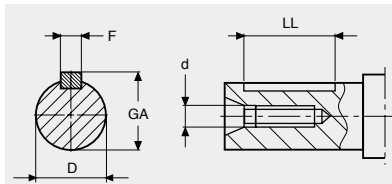


B14



* vedere pag. 45 ** su richiesta * see page 45 ** upon request

Tab. 37



Grand. / Size	50	56	63	71	80	90	100	112	132	160	180	200
F	3	3	4	5	6	8	8	8	10	12	14	16
D	9	9	11	14	19	24	28	28	38	42	48	55
GA	10,2	10,2	12,5	16,0	21,5	27,0	31,0	31,0	41,0	45,0	52,5	59,0
d		M4	M4	M5	M6	M8	M10	M10	M12	M16	M16	M20
LL	15	15	15	20	30	40	50	50	60	100	90	100

Grand. Size	Dimensioni / Dimensions																			B3	
	D	IB	A	BF	K	H	W1	W2	N	O	PG	RC	SD	TP	U	V	PB	Q	LC	DC	BA
56	9	20	90	71	6	56	36	61,0	168,0	188,0	M16	110	95	10	108	90	211,0	3	75	24	25
63	11	23	100	80	7	63	40	70,5	190,5	213,5	M16	123	100	10	120	105	239,5	3	75	28	27
71	14	30	112	90	8	71	48	80,0	218,0	248,0	M16	137	109	11	136	108	281,0	3	75	36	24
80	19	40	125	100	9	80	54	88,0	242,0	282,0	M20	156	123	13/14	154	125	326,0	4	91	35	30
90S	24	50	140	100	10	90	59	96,0	255,0	305,0	M20	176	128	13/15	170	130	358,0	3	91	40	30
90L	24	50	140	125	10	90	59	96,0	280,0	330,0	M20	176	128	13/15	170	155	383,0	3	91	40	32
100	28	60	160	140	13	100	63	109,0	312,0	372,0	M20	194	140	15/16	192	175	437,0	5	91	45	32
112	28	60	190	140	13	112	72	118,0	330,0	390,0	M20	218	148	15	224	176	455,0	5	91	47	34
132S	38	80	216	140	14	132	89	151,5	380,5	460,5	M32	258	177	16/18	260	180	546,5	6	106	57	37
132M	38	80	216	178	14	132	89	151,5	418,5	498,5	M32	258	177	16/18	260	218	584,5	6	106	57	37
160M	42	110	254	210	16	160	108	173,0	491,0	601,0	M32	309	220	18	318	260	718,0	7	165	118	52
160L	42	110	254	254	16	160	108	173,0	535,0	645,0	M32	309	220	18	318	304	-	-	165	118	52
180	48	110	280	280	16	180	120	210,0	610,0	720,0	M32	346	260	24	346	330	-	-	187	51	42
200	55	110	318	305	18	200	118	208,0	631,0	741,0	M32	348	260	26	398	355	-	-	187	62	54

Grand. Size	Dimensioni / Dimensions																			B5	
	D	I	B	C	G	M	N	O	PG	RC	SD	T	U	PB	Q	LC	DC	IB	LC	DC	BA
56	9	20	80	120	2,5	8,5	168,0	188,0	M16	110	95	100	7,0	211,0	3	75	24	20	75	24	25
63	11	23	95	140	2,5	10,0	190,5	213,5	M16	123	100	115	9,5	239,5	3	75	28	23	75	28	27
71	14	30	110	160	3,0	10,0	218,0	248,0	M16	137	109	130	9,5	281,0	3	75	36	30	75	36	24
80	19	40	130	200	3,0	11,0	242,0	282,0	M20	156	123	165	12,0	326,0	4	91	35	40	91	35	30
90S	24	50	130	200	3,5	10,0	255,0	305,0	M20	176	128	165	12,0	358,0	3	91	40	50	91	40	30
90L	24	50	130	200	3,5	10,0	280,0	330,0	M20	176	128	165	12,0	383,0	3	91	40	50	91	40	32
100	28	60	180	250	4,0	14,0	312,0	372,0	M20	194	140	215	14,5	437,0	5	91	45	60	91	45	32
112	28	60	180	250	4,0	14,0	330,0	390,0	M20	218	148	215	14,5	455,0	5	91	47	60	91	47	34
132S	38	80	230	300	4,0	20,0	380,5	460,5	M32	258	177	265	14,5	546,5	6	106	57	80	106	57	37
132M	38	80	230	300	4,0	20,0	418,5	498,5	M32	258	177	265	14,5	584,5	6	106	57	80	106	57	37
160M	42	110	250	350	5,0	20,0	491,0	601,0	M32	309	220	300	18,5	718,0	7	165	118	110	165	118	52
160L	42	110	250	350	5,0	20,0	535,0	645,0	M32	309	220	300	18,5	-	-	165	118	110	165	118	52
180	48	110	250	350	5,0	20,0	610,0	720,0	M32	346	260	300	19,0	-	-	187	51	110	187	51	42
200	55	110	300	400	5,0	20,0	631,0	741,0	M32	348	260	350	19,0	-	-	187	62	110	187	62	54

Grand. Size	Dimensioni / Dimensions																			B14	
	D	I	B	C	G	N	O	PG	RC	SD	T	U	PB	Q	LC	DC	IB				
50A	9	20	50	80	2,5	125,0	145,0	M16	98	77	65	M5	-	-	56	20	20				
50B	9	20	50	80	2,5	141,0	161,0	M16	98	77	65	M5	184,0	3	64	23	20				
56	9	20	50	80	2,5	168,0	188,0	M16	110	95	65	M5	211,0	3	75	24	20				
63	11	23	60	90	2,5	190,5	213,5	M16	123	100	75	M5	239,5	3	75	28	23				
71	14	30	70	105	3,0	218,0	248,0	M16	137	109	85	M6	281,0	3	75	36	30				
80	19	40	80	120	3,0	242,0	282,0	M20	156	123	100	M6	326,0	4	91	35	40				
90S	24	50	95	140	3,0	255,0	305,0	M20	176	128	115	M8	358,0	3	91	40	50				
90L	24	50	95	140	3,0	280,0	330,0	M20	176	128	115	M8	383,0	3	91	40	50				
100	28	60	110	160	4,0	312,0	372,0	M20	194	140	130	M8	437,0	5	91	45	60				
112	28	60	110	160	4,0	330,0	390,0	M20	218	148	130	M8	455,0	5	91	47	60				
132S	38	80	130	200	4,0	380,5	460,5	M32	258	177	165	M10	546,5	6	106	57	80				
132M	38	80	130	200	4,0	418,5	498,5	M32	258	177	165	M10	584,5	6	106	57	80				
160M	42	110	180	250	4,0	491,0	601,0	M32	309	220	215	M12	718,0	7	165	118	110				
160L	42	110	180	250	4,0	535,0	645,0	M32	309	220	215	M12	-	-	165	118	110				

B14 - grandezze 180 / 200 disponibili su richiesta B14 - sizes 180 / 200 available on request